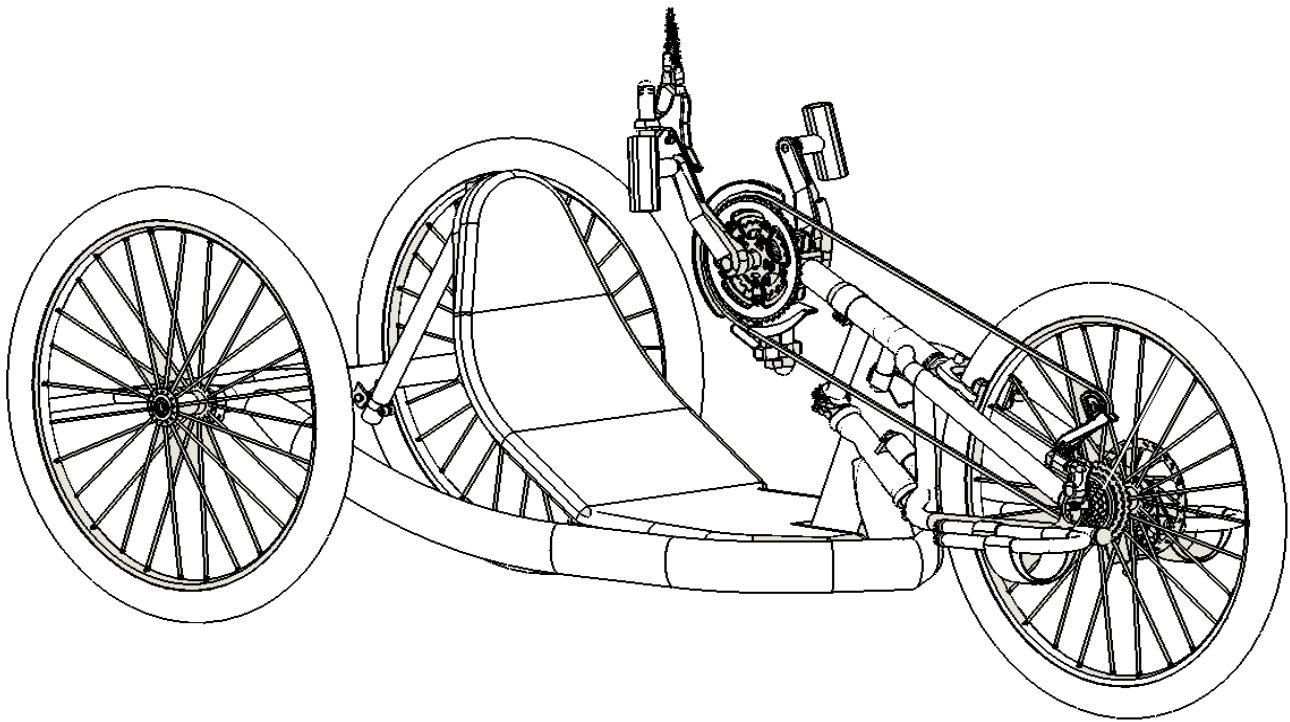




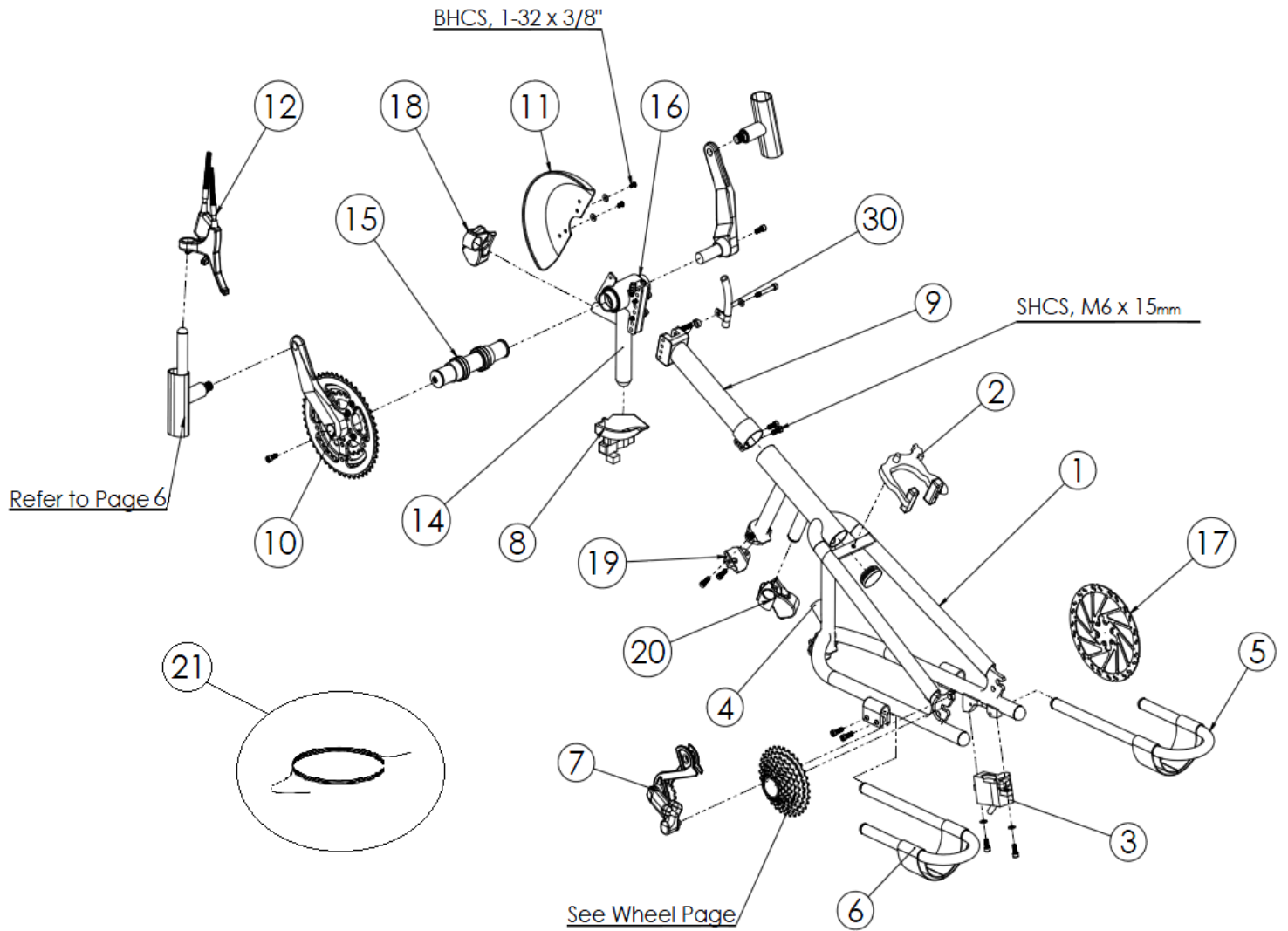
Sports and Recreation Products
4501 63rd Circle North
Pinellas Park, FL 33781
(800) 532-8677 (727) 522-8677
Fax: (727) 522-1007

Invacare Top End Parts Catalog Force 3





Sports and Recreation Products
 4501 63rd Circle North
 Pinellas Park, FL 33781
 (800) 532-8677 (727) 522-8677
 Fax: (727)522-1007





Invacare Top End Sports and Recreation Products

(800) 532-8677 (727) 522-8677 fax: (727) 522-1007

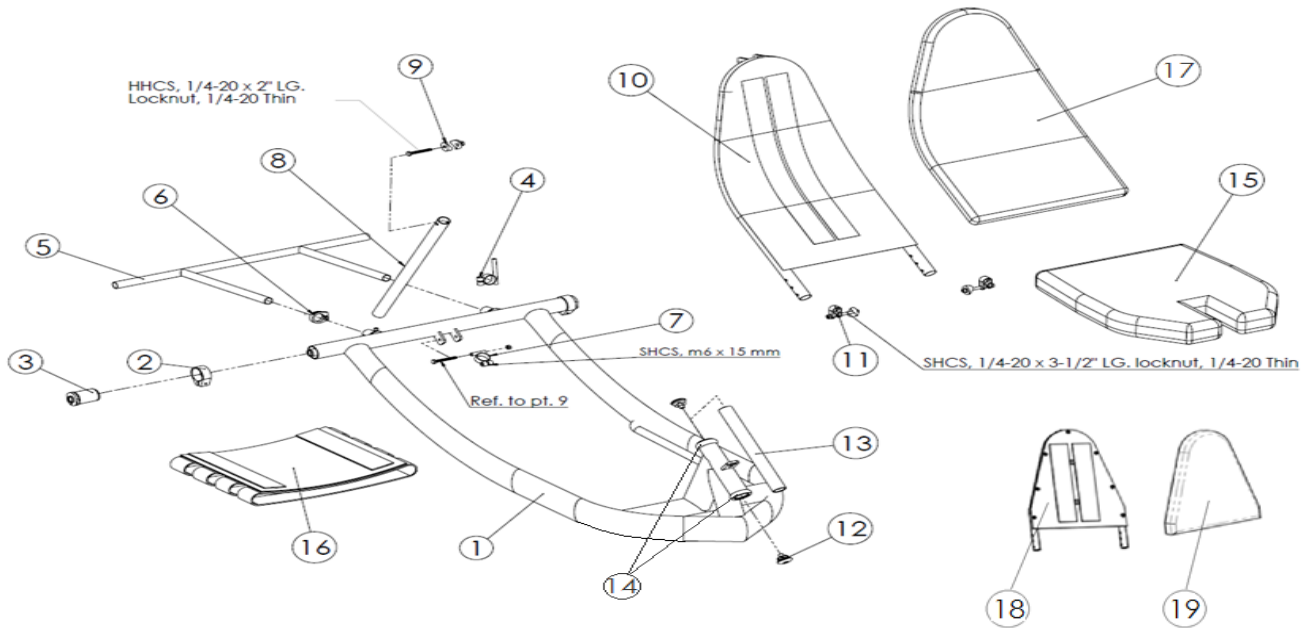
Parts Order Diagram:

Force 3: Fork and Crank

Date:	<input type="text"/>	PO#:	<input type="text"/>	SO#:	<input type="text"/>
Bill To:	<input type="text"/>		Ship To:	<input type="text"/>	
Quote #:	<input type="text"/>	Phone:	<input type="text"/>	Serial #:	<input type="text"/>

ITEM	PART NUMBER	PER BIKE	DESCRIPTION	QTY.	
1	1166391	1	Fork, Force 3 Serial# Required - <input type="text"/>	<input type="text"/>	EA
2	1166689	1	Brake Caliper	<input type="text"/>	EA
3	1156720	1	Disc Brake Caliper	<input type="text"/>	PR
4	1166397	1	Dampner M8 x 1.25 Metric	<input type="text"/>	EA
5	1153042	2	Handcycle Footrest, (3/4") w/Strap, (5-1/2" Wide) (Original-Black, Replacement-Silver)	<input type="text"/>	EA
6	1060650	2	Footrest Strap Only	<input type="text"/>	EA
7	1054246	1	Shimano Deore Derailleur (Front Wheel)	<input type="text"/>	EA
8	1060650	2	Deora Derailleur Cable Driven (Upper Chaining)	<input type="text"/>	EA
9	1153228	1	Crank Assembly/Fork connecting Tube	<input type="text"/>	EA
10	1166394	1	Chaining (48-36-26T) and Crank Arm (175mm) Assembly	<input type="text"/>	EA
	1166338	1	Chaining (48-39-24T) and V Crank upgrade (180mm x 20") Assembly	<input type="text"/>	EA
	1057052	1	Standard Chain, 154 Links, (Ref. to Chaining Assy.)	<input type="text"/>	EA
11	1156773	1	Chaining Guard, Solid	<input type="text"/>	EA
12	1127946	1	RapidFire Shifter/Brake Lever RH, 9 speed	<input type="text"/>	EA
13	1146020	1	1-3/8" Fork Clamp, with Cable Guide	<input type="text"/>	EA
14	1166393	1	Crank Assy., Vertical Adj. only, [(Threaded Bottom Bracket) Bottom Bracket NOT included	<input type="text"/>	EA
15	1127921	1	Bottom Bracket Assembly (Spindle, Bearings, and caps included)	<input type="text"/>	EA
16	1180993	2	Crank Spacer, (width: 1/4 3/8 1/2 5/8 3/4 7/8 1")	<input type="text"/>	EA
17	1166649	1	Brake Rotor	<input type="text"/>	EA
18	1166481	1	Rear Derailleur Lever	<input type="text"/>	EA
19	1153164	1	Fork Clamp	<input type="text"/>	EA
20	1166481	1	Parking Brake Lever	<input type="text"/>	EA
	1166528	1	Leg Guard Attachment	<input type="text"/>	EA
	1166379	1	Curve Leg Support Kit	<input type="text"/>	EA

	Invacare Top End Sports and Recreation Products	Parts Order Diagram:	
	(800) 532-8677 (727) 522-8677 fax: (727) 522-1007	Force 3: Frame Assembly	
Date: <input type="text"/>	PO#: <input type="text"/>	SO#: <input type="text"/>	
Bill To: <input type="text"/>		Ship To: <input type="text"/>	
Quote #: <input type="text"/>	Phone: <input type="text"/>	Serial #: <input type="text"/>	



ITEM	PART NUMBER	PER BIKE	DESCRIPTION		QTY.	
1	1166390	1	Frame, Force 3	Serial #: <input type="text"/> Wheel Base, 60" Std		EA
				Seat Width: <input type="checkbox"/> 15" Stealth Black <input type="checkbox"/> 17" Stealth Black		
2	1060882	2	Camber Clamp (with screw)			EA
3	1061179	2	Camber Insert, Threaded Axle, 0 degree			EA
4	1156741	1	Safety flag holder, (will not hold original Flag with orange Pole)			EA
5	1146002	1	Drafting Bumper (includes 2 plugs)			EA
	1139803	2	Plug, 3/4" Black Dome (use with drafting bumper)			EA
6	1139810	1	Clamp, 1" Alloy, single screw			EA
7	1153145	1	Pivot Clamp with hardware (included 2 bolts, 1 nut, 2 Washers)			EA
8	1145958	1	Adjustable Back Support Tube			EA
9	1146019	1	Hardware, Upper Adjustable Back Support Tube			EA
10	1145952	1	Curved Backrest, Force 3	Seat Width: <input type="checkbox"/> 15" Inches <input type="checkbox"/> 17" Inches		EA
11	1146022	1	Hardware, Lower Backrest (Set of 2 Assemblies)			PR
12	1145951	2	Cap, w/Screw M6 x 15mm			PR
13	1166512	1	Headset Shaft Assembly (10-3/8" Long) Include 2 Star Nut.			EA
14	1166475	1	Headset, 1-1/8" dia. (must be pressed in with the frame)			EA
15	1166508	1	Seat Cushion	Seat Width: <input type="checkbox"/> 15" Inches <input type="checkbox"/> 17" Inches		EA
16	1063590	1	Seat Upholstery	Seat Width: <input type="checkbox"/> 15" Inches <input type="checkbox"/> 17" Inches		EA
17	1166509	1	Back Cushion	Seat Width: <input type="checkbox"/> 15" Inches <input type="checkbox"/> 17" Inches		EA
18	1181331	1	Straight Backrest, FRC3	Seat Width: <input type="checkbox"/> 15" Inches <input type="checkbox"/> 17" Inches		EA
19	1181332	1	Cushion, Straight Back	Seat Width: <input type="checkbox"/> 15" Inches <input type="checkbox"/> 17" Inches		EA
20	1153156	1	Seatbelt	<input type="checkbox"/> 15" Inches <input type="checkbox"/> 17" Inches		EA



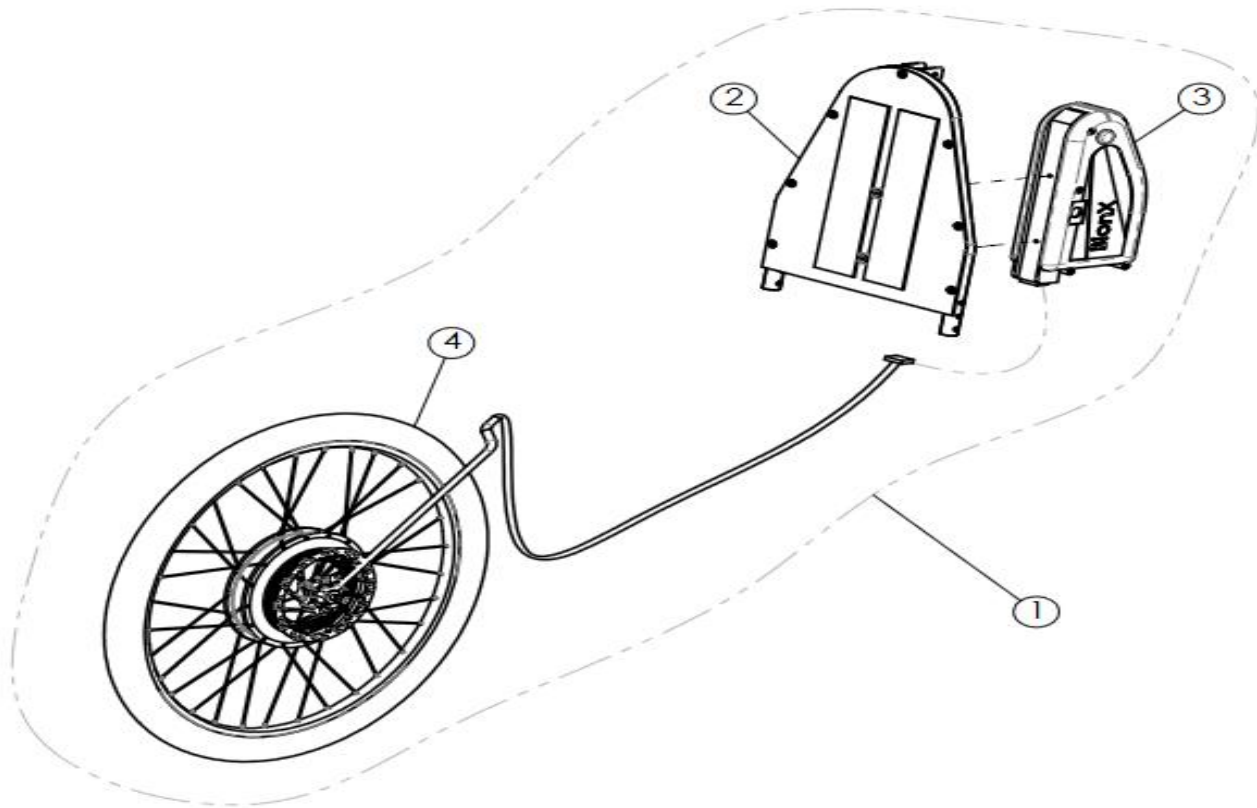
Invacare Top End Sports and Recreation Products

(800) 532-8677 (727) 522-8677 fax: (727) 522-1007

Parts Order Diagram:

Force 3: Bionix Power Boost

Date:	PO#:	SO#:
Bill To:	Ship To:	
Quote #:	Phone:	Serial #:



ITEM	PART NUMBER	PER BIKE	DESCRIPTION	QTY.	
1	1181169	1	Bionx Power Boost Kit Seat Width: <input type="checkbox"/> 15" Inches <input type="checkbox"/> 17" Inches		EA
2	1181152	1	Bionx Backrest Assembly, Seat Width: <input type="checkbox"/> 15" Inches <input type="checkbox"/> 17" Inches		EA
3	1181170	1	Battery DT 48V 6.6 amps flat black		EA
4	1181171	1	350W Freewheel G1 Motor Black (W/ Rim 26" Black, 32 Spoke 26" Black, 32 Nipples)		EA
	1181172	1	Docking Station w/o DC		EA
	1181173	1	G2 Console with Clip and Receptable		EA
	1181174	1	G2 Throttle Module		EA
	1181175	1	Power Supply 48V (w/o power cord)		EA



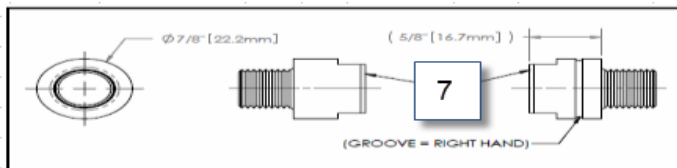
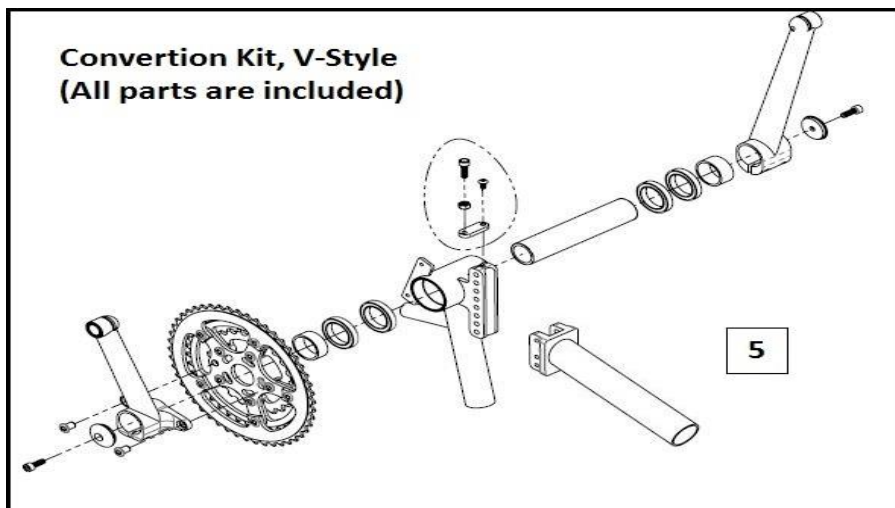
Invacare Top End Sports and Recreation Products

(800) 532-8677 (727) 522-8677 fax: (727) 522-1007

Parts Order Diagram:

Force 3: Pedals and Arms

Date:	PO#:	SO#:
Bill To:	Ship To:	
Quote #:	Phone:	Serial #:



ITEM	PART NUMBER	PER BIKE	Standard Hand Pedals, Force 3				QTY.	
NA	1166532	1	Handpedal, non-shifting RIGHT					EA
NA	1166533	1	Handpedal, non-shifting LEFT					EA
NA	1166534	1	Handpedal w/shifting post RIGHT					EA
NA	1166535	1	Handpedal w/shifting post LEFT					EA
5	1166392	Conversion Kit, V-Style All Parts Inc. 1 per Ord	<input type="checkbox"/> 170	<input type="checkbox"/> 180	<input type="checkbox"/> 20	<input type="checkbox"/> 21	48-39-24	EA

Crank Replacement			Bike Serial #	Crank Length (mm)	Crank Width (in)	Groove?	QTY.	
NA	1166217	1	V-Crank Arm, Set	<input type="checkbox"/> 170 <input type="checkbox"/> 180	<input type="checkbox"/> 20 <input type="checkbox"/> 21	Yes		EA
7	1166516	1	Crank Width Extension Set, Adapter (Increase Overall Width by 1-1/4")					EA



Invacare Top End Sports and Recreation Products

(800) 532-8677 (727) 522-8677 fax: (727) 522-1007

Parts Order Diagram:

Force 3: Wheel Assembly

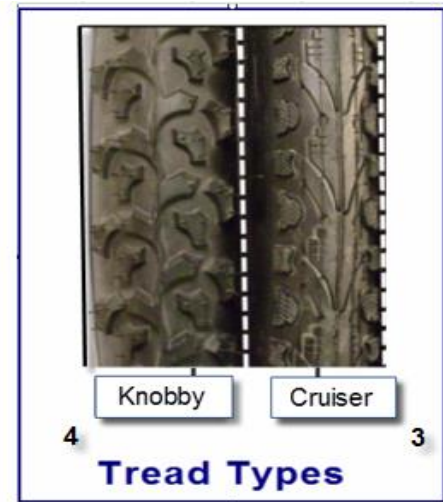
Date:	PO#:	SO#:
Bill To:	Ship To:	
Quote #:	Phone:	Serial #:



Front Wheel 1



Rear Wheel 2



Tread Types

ITEM	PART NUMBER	PER BIKE	DESCRIPTION	QTY.	
1	1166683	1	Drive wheel, 26 (559) x 1.25, disc brake Compatible, 36H		EA
2	1166695	2	Rear Wheel Assy. (does not include axle)		EA
	1166246	2	Threaded axle (Alex metal spoke wheels) 3-3/4" long		EA
	1166682	3	Tube, 26x1.50-1.95 w/Presta valve		EA
	1166246	2	Threaded axle (Alex metal spoke wheels) 3-3/4" long		EA
4	1057753	3	Knobby tire, 26x1.25 (40-559)		EA
	1166680	3	Tube, 26 x 1.90-2.35 w/ Presta Valve		EA



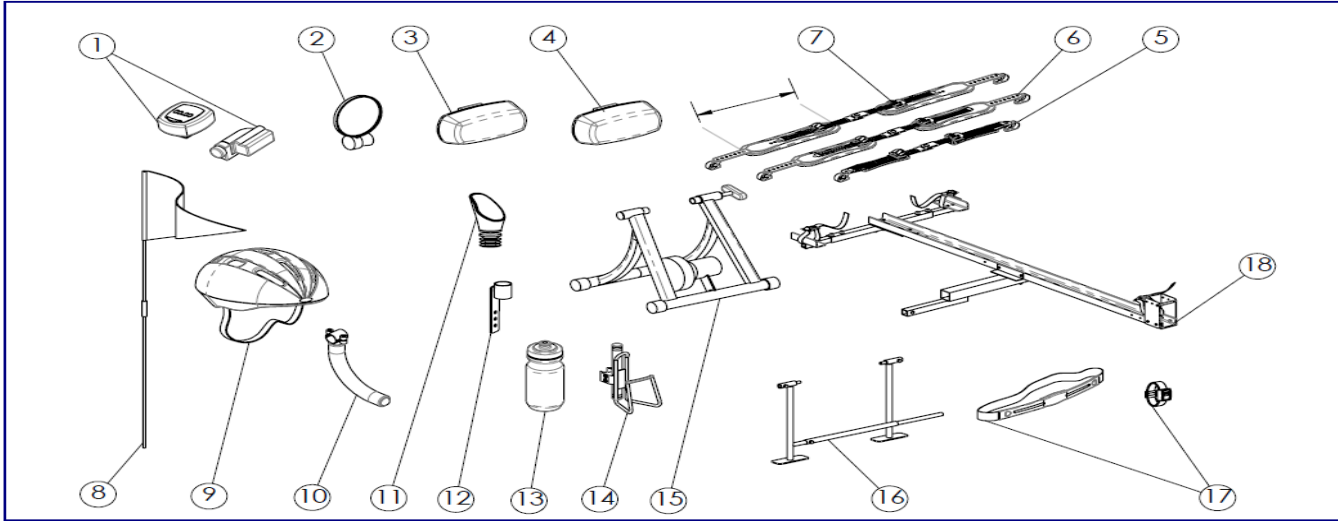
Invacare Top End Sports and Recreation Products

(800) 532-8677 (727) 522-8677 fax: (727) 522-1007

Parts Order Diagram:

Force 3: Accessories

Date:	PO#:	SO#:
Bill To:	Ship To:	
Quote #:	Phone:	Serial #:



ITEM	PART NUMBER	PER BIKE	DESCRIPTION	QTY.	
1	1056875	1	Cordless Computer		EA
2	1068722	1	Mirror, Footrest Mount		EA
3	1068721	1	Front Safety Light (clear)		EA
4	1060841	1	Rear Safety Light (red)		EA
6	1152964	1	Click Strap Set 10" (medium)		EA
7	1152965	1	Click Strap Set 12" (large)		EA
8	1156741	1	Safety flag holder, (will not hold original Flag with orange Pole)		EA
	1060642	1	Safety flag (Flag Holder p/n 1156741 Not Included, must order seperate)		EA
9	1060639	1	Helmet: <input type="checkbox"/> Small/Medium <input type="checkbox"/> Medium/Large		EA
10	1166379	1	Curve Leg Support Kit		EA
11	1153045	1	Mirror, Handle Mount		EA
12	1166628	1	Mirror Bracket, Chainguard Mount (include: two Screw, #10-32 x 1/2")		EA
13	1166517	1	Water Bottle		EA
14	1068718	1	Water Bottle, Cage and Hardware (Indicated Bike Model)		PR
15	1116580	1	Indoor Training Roller		EA
	XLT87*	1	LeMond Revolution trainer		EA
	1166633	1	Upright Weldment, LeMond Revolution Trainer		EA
	XLT97*	1	SportCrafters handcycle mini roller		EA
16	1109717	1	Alignment Guage		EA
17	1139799	1	Heart Monitor (Chest Strap and Watch)		EA
18	1068771	1	Bike Rack for trailer hitch Receiver Size: <input type="checkbox"/> 1-1/4" (std) <input type="checkbox"/> 2"		EA
	1166528	1	Leg Guard Attachment		EA
	1060798	1	Backpack Hydration System		EA
	1166518	1	Tool and Tire Repair Kit		EA
	RACE4	1	Wheel Bag (fit 3 700c Wheels)		EA
	RACE20	1	Handcycle Travel Bag		EA
	RACE13	1	Top End Racing Jersey, Short Sleeve <input type="checkbox"/> Large <input type="checkbox"/> X-Large		EA
	RACE22	1	T-Shirt with Top End Logo, <input type="checkbox"/> Large <input type="checkbox"/> X-Large		EA