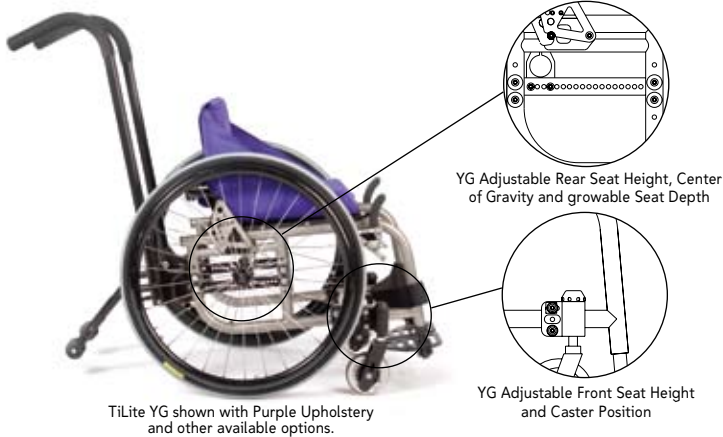


DEALER INFORMATION			SHIP TO INFORMATION		
Sales Person:	Email:		Name:	Ship Via:	
Phone:			Address:		
Dealer:	Account:		City:	State:	Zip:
Ordered By:	PO:		Phone:		
Address:			Fax:		
City:	State:	Zip:	TiLite Information		
Phone:	Fax:		Ship Date:		
Email:			Order #:		
Mark For:					

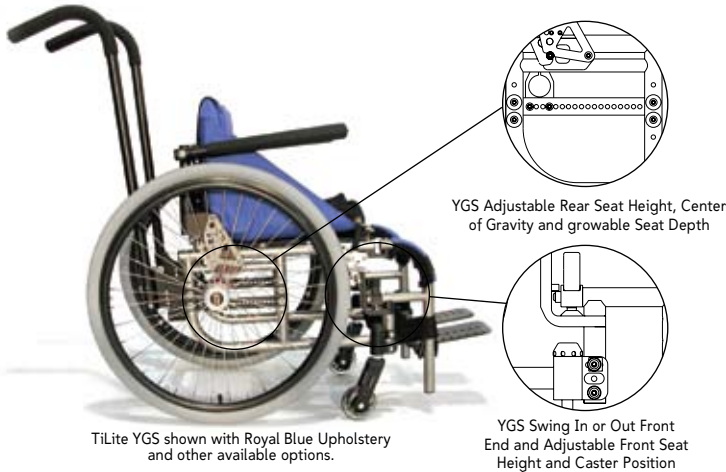
Please Fax to the TiLite Customer Service Team at **866.586.2413** or **509.586.2413**

FRAME STYLE

- YGFS1 **TiLite YG** (Fixed Front End).....**\$2,895**
(250 Pound Weight Limit)
- YGPWR1 Power Adaptable Frame¹.....**\$300**
- YGRFR1 Reinforced Frame.....**\$300**



- YGFS2 **TiLite YGS** (Swing In or Out Front End).....**\$2,895**
(250 Pound Weight Limit)
- YGPWR1 Power Adaptable Frame¹.....**\$300**
- YGRFR1 Reinforced Frame.....**\$300**



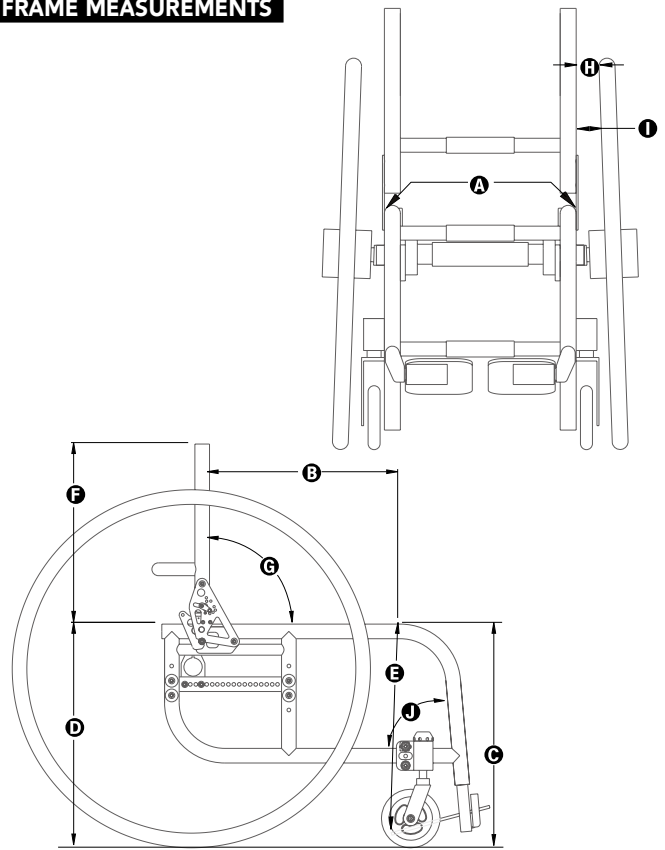
FRAME FINISH²

- YGFF1 Satin**STD**
- YGFF2 Polished.....**\$650**

TRANSIT TIE-DOWN OPTION

YGTDDO Transit Tie-Down Option - Consists of four factory-installed Transit Tie-Down Brackets. Crash-tested in accordance with ISO 7176-19 with a 220 lb (100kg) crash dummy.³.....**\$200**

FRAME MEASUREMENTS



SEAT WIDTH A Measure from outside of seat tube at back post to the outside of the opposite seat tube at back post. For Seat Widths narrower than 12", contact TiLite Customer Service. TiLite **YG** and **YGS** Seat Width grows and/or shrinks up to a total of 3". All upholstery and components needed to grow this chair are included.

- 10"-11" 12"-14" 14"-16" 16"-18"
- Set at _____ (Use 1" increments).....**STD**

FRAME MEASUREMENTS

SEAT DEPTH ③ Measure from front of back post to the front edge of seat sling. For Seat Depth less than 12", contact TiLite Customer Service. TiLite **YG** and **YGS** Seat Depth grows and/or shrinks up to a total of 4". All upholstery and components needed to grow this chair are included.

YGSD1 10"-14" 12"-16" 14"-18"
 Set at _____ (Use 1" increments).....**STD**

FRONT SEAT HEIGHT ④ Measure from floor to top of seat tube at beginning of bend. Adjustable in 1/2" increments.

AVAILABLE FRONT SEAT HEIGHTS

Front Caster Size	Min FSH	Max FSH
3"	14.5"	18.5"
3" Frog Legs®	15.5"	18.5"
4"	15.0"	19.0"
4" Frog Legs®	16.0"	19.0"
5"	17.0"	19.5"
5" Frog Legs®	17.5"	19.5"
6"	17.5"	20.0"
6" Frog Legs®	18.5"	20.0"

YGFSH1 14.5" 15" 15.5" 16" 16.5" 17"
 17.5" 18" 18.5" 19" 19.5" 20".....**STD**

REAR SEAT HEIGHT ⑤ Measure from floor to top of seat tube at back post. Adjustable in 1/2" increments.

AVAILABLE REAR SEAT HEIGHTS

Rear Tire Size	Min RSH	Max RSH
20" Primo®	13.0"	17.0"
20" Treaded/Mako	13.5"	17.5"
22" Pyramid	13.5"	18.0"
22" Primo®/Kenda®	14.0"	18.0"
22" Treaded	14.0"	18.5"
24" Mako	14.5"	19.0"
24" Primo®/Kenda®	14.5"	19.0"
24" Treaded	15.0"	19.0"

13" 13.5" 14" 14.5" 15" 15.5"
 16" 16.5" 17" 17.5" 18" 18.5"
 19"..... **STD**

SEAT TO FOOTREST ①/FOOTRESTS Measure from front edge of seat sling to top rear of footrest. **Measurement must be at least 2" shorter than Front Seat Height ④.**

If your Front Angle ① is 70°, 80° or 85° with No Taper, select one Seat to Footrest ① length and one Footrest type:

Standard Footrests

- 13.5" 14" 14.5" 15" 15.5" 16"
- 16.5" 17" 17.5" 18"
- YGFR1 Flip-up Footrest.....**STD**
- YGFR2 1- Piece Angle Adjustable Rigid Footrest (YG Only).....**\$115 K0040**
- YGFR3 Depth Adjustable Flip-up Footrest.....**\$95**
- YGFR4 Depth & Angle Adjustable Flip-up Footrest⁴.....**\$235 K0040**
- YGFR5 Angle Adjustable Flip-up Footrest⁴.....**\$195 K0040**

High Mount Footrests

- 7" 7.5" 8" 8.5" 9" 9.5" 10" 10.5"
- 11" 11.5" 12" 12.5" 13"
- YGFR9 High Mount Flip-up Footrest.....**\$165 K0037**
- YGFR10 Depth Adjustable High Mount Flip-up Footrest.....**\$185 K0037**
- YGFR11 Angle Adjustable High Mount Flip-up Footrest.....**\$285 K0040**
- YGFR12 Depth & Angle Adjustable High Mount Flip-up Footrest.....**\$325 K0040**
- YGFR13 One-Piece Angle Adjustable Rigid High Mount Footrest (YG only).....**\$115 K0040**

If your Front Angle ① is 80° with 2" Taper, select one Seat to Footrest ① length and one Footrest type:

- 13.5" 14" 14.5" 15" 15.5" 16"
- 16.5" 17" 17.5" 18"
- YGFR1 Flip-up Footrest.....**STD**
- YGFR2 1-Piece Angle Adjustable Rigid Footrest.....**\$115 K0040**
- YGFR3 Depth Adjustable Flip-up Footrest.....**\$95**
- YGFR4 Depth & Angle Adjustable Flip-up Footrest⁴.....**\$235 K0040**
- YGFR5 Angle Adjustable Flip-up Footrest⁴.....**\$195 K0040**

If your Front Angle ① is 90°, select one Seat to Footrest ① length and one Footrest type:

- 7" 8" 9" 10" 11" 12" 13"
- YGFR1 Flip-up Footrest.....**STD**
- YGFR4 Depth Adjustable Flip-up Footrest.....**\$95**
- YGFR5 Depth & Angle Adjustable Flip-up Footrest.....**\$235**

YGHLP1 Heel Loops⁵**\$40 E0951**



FRAME MEASUREMENTS

SEAT BACK HEIGHT ② /SEAT BACKS/PUSH HANDLES Measure from top of back post to top of seat tube at rear of frame.

YGSB1 **Folding, Adjustable-Height and Angle Seat Back**.....**STD**

Seat Back.....**STD**
 8" - 12" 12" - 16" 16" - 20"
 Set at _____ (Use 1/2" increments)

YGSB2 **Folding, Adjustable-Height and Angle Seat Back with Stroller Handles**.....**\$275**

8" - 12" 12" - 16" 16" - 20"
 Set at _____ (Use 1/2" increments)

YGSB3 **Folding, Adjustable-Height and Angle Seat Back with Push Handles Integrated on Back Post**.....**\$85**

10" - 12" 13" - 16" 17" - 20"
 Set at _____ (Use 1/2" increments)

NEW YGSB4 **Folding, Adjustable-Height and Angle Seat Back with Fold-Down Push Handles Integrated on Back Post**.....**\$100**

11.5" - 13.5" 13.5" - 18" 17.5" - 20"
 Set at _____ (Use 1/2" increments)

SEAT BACK ANGLE ③ Measure angle from front of back post to floor. 90° will be perpendicular to top of seat tube.

To approximate the angle from the back post to the seat, subtract 2 degrees from measurement ③ for every .5" of dump.

YGSA1 80° 83° 86° 89° 92° 95°
 98° 101°.....**STD**

REAR WHEEL SPACING ④ Measure from outside of seat back post to inside of rear tire.

YGRWS1 .75" 1" 1.25" 1.5" 1.75" 2".....**STD**

CAMBER ①

YGCBR1 0° 2° 4° 6° 8° 12°.....**STD**

FRONT ANGLE ⑤ Measure from inside of frame front tube to top of bottom frame tube.

YGFA1 **YG** 70° 80° 85°⁷.....**STD**
 YGFA2 **YGS** 70° 80° 80° with 2" Taper⁸ 90°⁷**STD**

CHAIR OPTIONS

FRONT WHEELS

- YGFW1 3"x.75" Micro-Caster.....**STD**
- YGFW2 3"x.75" Light-Up Micro-Caster.....**\$65**
- NEW** YGFW14 4"x.75" Plastic Wheel w/Poly Tire.....**NCO**
- YGFW3 4"x.75" Light-Up Micro-Caster.....**\$65**
- YGFW4 4"x.75" Billet Aluminum Wheel w/Poly Tire.....**\$125**
 Silver Hub Black Hub
- NEW** YGFW5 4"x1" 2-Piece Billet Aluminum Wheel w/Soft Roll Tire.....**\$165 E2219**
 Silver Hub Black Hub
- NEW** YGFW6 5"x1" Plastic Wheel w/Poly Tire.....**NCO**
- YGFW7 5"x1" Billet Aluminum Wheel w/Poly Tire.....**\$145**
 Silver Hub Black Hub
- YGFW8 5"x1" 2-Piece Billet Aluminum Wheel w/Soft Roll Tire.....**\$185 E2219**
 Silver Hub Black Hub
- NEW** YGFW9 6"x1" Plastic Wheel w/Poly Tire⁹.....**NCO**
- YGFW10 6"x1.25" Plastic Wheel w/Pneumatic Tire⁹.....**\$65 E2215**
- YGFW11 6"x1" Billet Aluminum Wheel w/Poly Tire⁹.....**\$165**
 Silver Hub Black Hub
- NEW** YGFW12 6"x1.25" Billet Aluminum Wheel w/Pneumatic Tire⁹.....**\$165 E2215**
 Silver Hub Black Hub
- NEW** YGFW13 6"x1.25" 2-Piece Billet Aluminum Wheel w/Soft Roll Tire⁹.....**\$195 E2219**
- YGRG1 Frog Legs[®] Suspension Forks¹⁰.....**\$345 E1015**
- YGCPL1 Caster Pin Locks.....**\$225 K0073**
- YGFW0 Omit Front Wheels (Must Choose Wheel Size Above).....**\$20**

REAR WHEELS

- YGRW1 Spinergy WIRE™ Wheel w/Low Flange Hub.....**STD**
 20"(451) 22"(501) 24"(540)
- YGRW2 24"(540) TiLite® Wheel w/High Flange Hub.....**\$225**
- YGRW3 Spinergy SPOX™² Black Red Yellow
 Blue White.....**\$695 K0108**
 22"(501) - Std. Hub 24"(540) - Std. Hub
- YGRW4 Spinergy LX™² Black Red Yellow
 Blue White.....**\$895 K0108**
 22"(501) - Std. Hub 24"(540) - Std. Hub
- YGRW5 Skyway® Mags 20" 22" 24".....**\$50**
- YGRW0 Omit Rear Wheels (Must Choose Wheel Size Above and Tire Type Below).....**\$50**

PNEUMATIC REAR TIRES

- YGRTR1 Treaded.....**STD E2211**
 ZRTR2 Airless Inserts¹¹.....**\$125 E2213**
- YGRTR3 Primo®.....**STD E2211**
- YGRTR4 24" Grey Knobby¹².....**\$75 E2211**
- YGRTR5 24" Kenda® High Pressure (110psi)²
 Grey Red Blue.....**\$65 E2211**
- YGRTR8 24" Schwalbe Marathon Plus Evolution.....**\$95 E2211**
- YGRTR9 24" Schwalbe SpeedRun.....**\$110 E2211**

SOLID REAR TIRES

- YGRTR6 20" (451) Street Tread.....**\$65**
- YGRTR7 22" (501) Pyramid.....**\$65**
- YGRTR8 24" (540) HerringboneTread.....**\$80**



THE ULTIMATE RIDE.™

tilite.com
 1426 East Third Avenue | Kennewick, Washington 99337
 509.586.6117 Tel | 800.545.2266 Toll-Free
 509.586.2413 Fax | 866.586.2413 Toll-Free Fax

CHAIR OPTIONS

HANDRIMS

Handrim Type

- YGRIM1 Aluminum – Silver Anodized.....**STD**
- YGRIM2 Titanium¹³.....**\$400**
- YGRIM3 Natural-Fit™ (Original, Larger Profile)¹⁴
 - Standard Grip.....**\$295**
 - Super Grip.....**\$340**


-  **YGRIM4 Natural-Fit™ LT (Reduced Weight, Smaller Profile)¹⁴**
 - Standard Grip.....**\$325**
 - Super Grip.....**\$370**

- YGRIM5 Plastic Coated – Black.....**\$95**
- YGRIM6 Projections - 8 Vertical Projections¹⁵.....**\$240**
- YGRIM0 Omit Handrims.....**\$15**

Tab Length

- YGRIM7 Long Tabs.....**STD**
- YGRIM8 Short Tabs²⁰.....**\$15**

WHEEL LOCKS

- YGWLK1 Standard Push to Lock¹⁶.....**NCO**
- YGWLK2 Composite Scissor Lock²³.....**\$110**
-  **YGWLK5 Black Aluminum Scissor Lock²³.....\$135**
- YGWLK3 Uni-Lock.....Set At: Push... Pull.....**\$135**
- YGWLK4 Extension Handles for Uni-Lock.....**\$50 E0961**

UPHOLSTERY COLORS²

- YGUPC1 Black.....**STD**
- YGUPC2 Ti Red Royal Blue Navy Blue Hunter Green
 Purple Digital Camo**\$50**

BACK UPHOLSTERY

- YGBUP1 Velcro Adjustable¹⁷.....**STD**
- YGBUP2 Tension Adjustable by Straps^{17,24}.....\$150**
- YGBUP0 Omit Back Upholstery¹⁷.....**NCO**

SEAT UPHOLSTERY

- YGSUP1 Tension Adjustable Bolt On¹⁷.....**STD**
- YGSUP0 Omit Seat Upholstery¹⁷.....**NCO**

SEAT CUSHIONS

- YGCSH1 Foam Cushion 2" 3" 4".....**\$95**
- YGCSH2 StimuLITE® Sport
(2" Black 13"x15" to 20"x 20")¹⁸.....**\$495 E2603**
- YGCSH3 Corbee® (2" Black 10"x 10" to 14"x 14 ")¹⁸.....**\$495 E2603**
- YGCSH4 ROHO® Low Profile Quadro Select¹⁷**\$495 K0734**
- YGCSH5 ROHO® Custom¹⁸.....**\$595 K0734**
- YGCSH6 VARILITE™ Evolution (Black Only).....**\$425 K0734**
- YGCSH7 VARILITE™ Zoid (Black Only).....**\$425 K0734**

VARILITE™ SEAT CUSHION AVAILABILITY CHART

Seat Depth Ⓞ

Seat Width Ⓢ	VARILITE™ Evolution	VARILITE™ Zoid
12"	14"	8", 12", 14"
13"	NONE	NONE
14"	14", 16", 18", 20"	14", 16", 18"
15"	15", 17"	15", 17"
16"	14", 16", 18", 20"	16", 18", 20"
17"	17"	17"
18"	16", 18", 20"	16", 18", 20"
19"	NONE	NONE
20"	16", 18", 20"	16", 18", 20"

SIDE GUARDS

- YGSDG1 Cloth.....**\$65**

Aluminum

- YGSDG2 Rigid Removable Small Std.....**\$175**
- YGSDG3 Quad Removable w/Hole
 Small Std**\$185**
- YGSDG4 Fold Down Rigid Small Std.....**\$325**

Carbon Fiber

- YGSDG5 Rigid Removable Small Std **\$250**
- YGSDG6 Quad Removable w/Hole Small Std **\$260**
- YGSDG7 Fold Down Rigid Small Std **\$400**

AXLES

- YGAXL1 Stainless Quick Release.....**STD**
- YGAXL2 Titanium Quick Release¹⁹.....**\$195**
- YGAXL3 Quad Release²⁰.....**\$95**

ARMRESTS

- YGARM1 Swing Away - Flip Back Tubular**\$275 E0973**
 Covered in Black Alcantara® Ultrasuede®...**\$75**

SEAT BELTS

- YGBLT1 Velcro Adjustable, Black Nylon Webbing..... **\$45 E0978**
- YGBLT2 Bodypoint Auto-Style Release Buckle..... **\$75 E0978**

CALF STRAP

- YGCLF1 Buckle Adjustable, Black Nylon Webbing..... **\$25 K0038**
- YGCLF2 Velcro Adjustable **\$35 K0038**
 - Xtra Small (Recommended for 10" - 13" Seat Widths)
 - Small (Recommended for 12" - 15" Seat Widths)
 - Medium (Recommended for 14" - 18" Seat Widths)
- YGCLF3 Bodypoint Padded Velcro Adjustable **\$65 K0038**
 - Extra Small (Recommended for 8" - 11" Seat Widths)
 - Small (Recommended for 12" - 15" Seat Widths)
 - Large (Recommended for 16" - 20" Seat Widths)

BACK PACK

- YGBCK1 Small - Black Nylon **\$50**
- YGBCK2 Large - Black Nylon..... **\$65**

SEAT POUCH

- YGPCH1 Small - Black Nylon..... **\$40**
- YGPCH2 Large - Black Nylon..... **\$45**

SPOKE GUARDS

- YGRD1 Clear Lexan with TiMotion Logo¹⁴..... **\$90 K0065**

ANTI-TIPS

- YGTIP1 Rear Aluminum - Black..... **\$150 E0971**
- YGTIP2 User Friendly Rear Flip-up..... **\$245 E0971**

ACCESSORIES

- YGLUG1 Luggage Carriers²¹..... **\$125**
- YGMPT1 Neoprene Impact Guards^{2, 22}..... **\$55**



THE ULTIMATE RIDE.™

tilite.com
1426 East Third Avenue | Kennewick, Washington 99337
509.586.6117 Tel | 800.545.2266 Toll-Free
509.586.2413 Fax | 866.586.2413 Toll-Free Fax

END NOTES

1. Requires Billet Aluminum Front Wheels and 0° Camber.
2. Accessorize your Ti with color components. Mix and Match colors with ease on TiLite's Color Matrix at [tilite.com](#).
3. The U.S. Department of Transportation has not approved any tie down system for transportation of a user while in a wheelchair in a moving vehicle of any type. It is TiLite's position that users of wheelchairs should be transferred into appropriate seating in motor vehicles and use the restraints made available by the auto industry. TiLite does not claim that it's Transit Tie-Down Option will prevent injury or death in the event of a motor vehicle accident. Consult the TiLite Transit Tie-Down Option Operating and Maintenance Manual Supplement for complete details, warnings and instructions.
4. Available for 15" - 18" Seat to Footrest **B** only.
5. Not Available with 13" or narrower Seat Width **A**, 1-Piece Footrests or High Mount Footrests.
6. Requires Tension Adjustable by Straps Back Upholstery.
7. Not available with 6" Front Wheels.
8. A 2" taper will produce a footrest width that is 4" narrower than Seat Width **A**.
9. Not available on YG with 85° Front Angle **1** or YGS with 90° Front Angle **1**.
10. Available in Silver anodize only.
11. Not available with Spinergy SPOX™ or Spinergy LX™ Rear Wheels.
12. Requires TiLite® Wheel with High Flange Hub. This tire fits wheel size 22" (507), not 24" (540). 22"(507) wheel will be used when this tire is selected.
13. Not available with Skyway® Mags, 20" or 22" Rear Wheels.
14. Not available with Skyway® Mags or 20" Rear Wheels.
15. Not available with 20" Rear Wheels, Skyway Mags, or 22" or 26" Spinergy SPOX or LX wheels.
16. Available with .75" to 1.5" Rear Wheel Spacing **1** only. Wheel spacing greater than 1.5" requires Scissor or Uni-Lock. Not available with extension handles.
17. Transit Option Tie-Down requires Tension Adjustable Back Upholstery and Tension Adjustable Seat Upholstery.
18. Please allow an additional 2-3 weeks delivery.
19. Not available with 26" (590) Spinergy SPOX™ or LX, Skyway® Mags, Spinergy WIRE™ Rear Wheels or Power Adaptable Frame.
20. Not available with Skyway® Mags.
21. Not available with High Mount Footrests.
22. Not available with High Mount Footrests or 90° Hangers.
23. Not Available on YGS.
24. Required with Fold-Down Push Handles.

DESIGNS UNLIMITED



TiLite's YG/YGS offers more than 15 million different frame combinations! But sometimes even that's not enough. If you would like to customize your TiLite, check out the Designs Unlimited Studio at [www.tilite.com](#). There you will find drawings and pricing for hundreds of creative solutions to customers' customization requests. We call these "D.U.'s." If you don't find the D.U. you're looking for, contact the TiLite Customer Service Team at 800.545.2266 or customerservice@tilite.com and we'll design a D.U. just for you. Designs Unlimited customization may add an additional 2 to 3 weeks to the ship time of your chair.

HCPCS

HCPCS Codes are for reference purposes only. Actual coding and coverage varies by payer. Proper HCPCS coding is not a guarantee of payment. Please verify the appropriate payer's coverage policy.

GENERAL

TiLite manufactures a wide variety of wheelchairs to meet the varied needs of wheelchair users. The final selection of a particular model, its options and accessories, and its measurements rests solely with the wheelchair user and advising healthcare professional. TiLite wheelchairs must be fitted by a qualified healthcare professional.

Print the latest order forms at [tilite.com](#)

Prices, standard features, options and accessories are subject to change without notice. TiLite, The Ultimate Ride and The Titanium Experts are trademarks of TiSport, LLC.



THE ULTIMATE RIDE.™

[tilite.com](#)
 1426 East Third Avenue | Kennewick, Washington 99337
 509.586.6117 Tel | 800.545.2266 Toll-Free
 509.586.2413 Fax | 866.586.2413 Toll-Free Fax