

Invacare Rea Azalea - Mnl Tilt in Space Chair - Category 2

Price List and Order Form - Effective Feb, 2009

Invacare New Zealand , Ph: 0508 468 222, Fax: 0508 807 788, www.invacare.co.nz

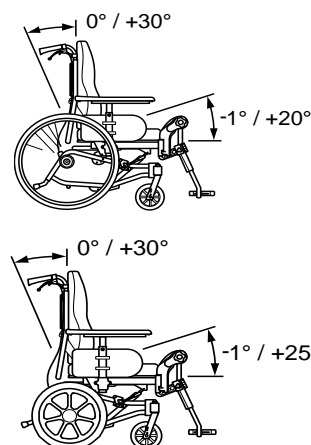


Yes, you can.®

Company Name:	Date:
Therapist:	Therapist Phone:
Therapist Email Address:	
Client:	Therapist fax:
Ship To Name and Address:	

Includes as standard: Max user weight 135 kg, Seat cushion and backrest, Headrest, Push to lock brakes, positioning buckle belt, rear anti tippers, quick release axle on self propulsion, Height adjustable arm pads, Manual tilt and recline.

	REA AZALEA PROPULSION TYPE	PRICE
<input type="checkbox"/>	24" self propelling wheels inc. standard seating	\$5,720.00
<input type="checkbox"/>	16" transit wheels inc. hub brakes inc. standard seating	\$6,155.00
	SEAT WIDTH	
<input type="checkbox"/>	16"	n/c
<input type="checkbox"/>	18"	n/c
<input type="checkbox"/>	20"	n/c
	SEAT DEPTH	
<input type="checkbox"/>	16"	n/c
<input type="checkbox"/>	18"	n/c
<input type="checkbox"/>	20"	n/c
	SEAT HEIGHT	
<input type="checkbox"/>	16"	n/c
<input type="checkbox"/>	18"	Standard
	SEAT/BACK UPHOLSTERY	
<input type="checkbox"/>	Grey dartex	Standard
	PUSHHANDLES	
<input type="checkbox"/>	Push handles braced	Standard
	LEGRESTS / HANGERS	
<input type="checkbox"/>	Angle adjustable with knee pad and calf support	Standard
<input type="checkbox"/>	Legrest amputee - LH	\$270.00
<input type="checkbox"/>	Legrest amputee - RH	\$270.00
	FOOTREST TYPE	
<input type="checkbox"/>	Angle adjustable with short tube (24cm) and heel strap	Standard
<input type="checkbox"/>	Angle adjustable with long tube (36cm) and heel strap	\$50.00
	FOOTRESTS ONE PIECE	
<input type="checkbox"/>	Footrest one piece depth and angle adjustable with calf strap	\$215.00
	ARMREST TYPE	
<input type="checkbox"/>	Height adjustable, standard pad	Standard
<input type="checkbox"/>	Hemiplegic armrests LH	\$270.00
<input type="checkbox"/>	Hemiplegic armrests RH	\$270.00
	SEATING OPTIONS	
<input type="checkbox"/>	Abduction cushion (Pommel)	\$170.00
	BACKREST OPTIONS	
<input type="checkbox"/>	Headrest, sidewise adjustable	Standard
<input type="checkbox"/>	Laterals - multi adjustable (LH)	\$215.00
<input type="checkbox"/>	Laterals - multi adjustable (RH)	\$215.00
	FRONT CASTORS	
<input type="checkbox"/>	200x30 soft	Standard
	SPOKEGUARDS (24" wheels only)	
<input type="checkbox"/>	Frost	\$149.00
	BRAKE TYPE	
<input type="checkbox"/>	User manouvered tyre brakes	Standard
	SAFETY OPTIONS	
<input type="checkbox"/>	Pelvic belt	Standard
	ACCESSORIES	
<input type="checkbox"/>	Table tray incl mounting kit	\$315.00
<input type="checkbox"/>	Locking device for table tray	\$50.00



* All specs and dimensoins are approximate. Non-standard items may incur a delay in delivery.

Invacare New Zealand
4 Westfield Place, PO Box 62124, Mt Wellington, Auckland
Freephone 0508 468 222, Freefax 0508 817 788

www.invacare.co.nz